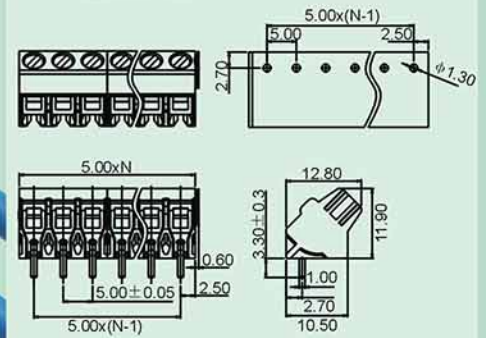


DG303S-5.0

- 弹片保护导线, 接线方便, 且可重复接线;
- 长方形接线, 接线容量大;
- 45度倾角连接;
- 最大线径: 2.5mm²;
- With wire protector, easy connection repeatedly.
- With rectangle connection hole, large connection capacity.
- 45° wire connection.
- Max. wire: 2.5mm².

DG303S-5.0



技术参数 Technical data

APPROVAL: **CE**

型号 Model	线径 Wire range (AWG/mm ²)	线数 Poles	IEC60947技术参数 (IEC60947 data sheet)		UL1059技术参数 (UL1059 data sheet)	
			电压(V) Rated voltage	电流(A) Rated current	电压(V) Rated voltage	电流(A) Rated current
DG303S-5.0	26-12/0.2-2.5	02-24P	400	24	300	15

应用行业 Application

照明, 工业自动化, 仪器仪表, 安防, 照明等行业。
 industrial automation, instrument, security, Lighting.



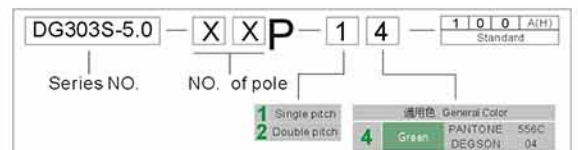
产品包装方式 Packing

Product model	Pcs./Pkt.	Product model	Pcs./Pkt.
DG303S-5.0-02P	50	DG303S-5.0-08P	50
DG303S-5.0-03P	50	DG303S-5.0-09P	50
DG303S-5.0-04P	50	DG303S-5.0-10P	50
DG303S-5.0-05P	50	DG303S-5.0-11P	50
DG303S-5.0-06P	50	DG303S-5.0-12P	50
DG303S-5.0-07P	50		

型号对照 Cross reference

DEGSON	同行1/Competitor1	同行2/Competitor2
DG303S-5.0	PTA1.5/X-3.5	-

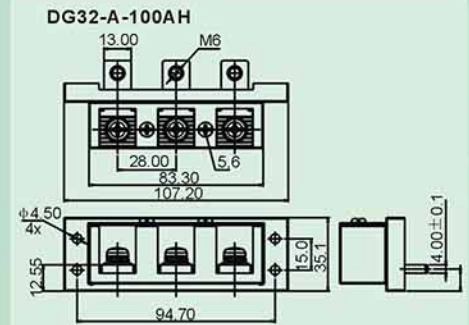
产品订货 How to order



DG32-A-100AH



- 在00AH的基础上加盖板；
- Adding cover based on 00AH (general type).



技术参数 Technical data

APPROVAL: CE

型号 Model	线径 Wire range (AWG/mm ²)	线数 Poles	IEC60947技术参数 (IEC60947 data sheet)		UL1059技术参数 (UL1059 data sheet)	
			电压(V) Rated voltage	电流(A) Rated current	电压(V) Rated voltage	电流(A) Rated current
DG32-A-100AH	24-4	03P	-	-	600	120

应用行业 Application

工业自动化、电梯、新能源、电力电气等行业
industrial automation, elevator, new energy, electric power,.



产品包装方式 Packing

Product model	Pcs./Pkt.
DG32A-100AH	10

型号对照 Cross reference

DEGSON	同行1/Competitor1	同行2/Competitor2
DG32A-100AH	-	-

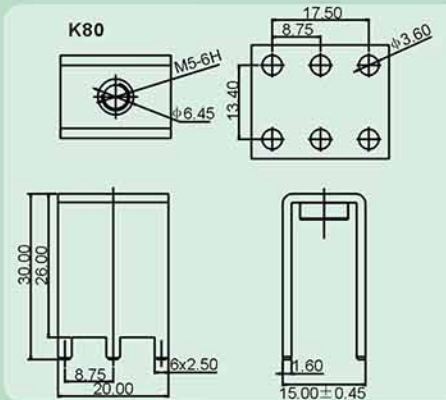
产品订货 How to order

DG32-A-100AH	-	0	3	P	-	1	3	-	0	6	A(H)
Series NO.			NO. of pole						Standard		
		1 Single pitch							通用色 General Color		
		2 Double pitch							PANTONE 419C		
									Each		DEGSON 03



K80

- 结构简单, 电流大, 成本低;
- 接线方便, OT/DT头配套接线牢固, 稳定性好;
- 满足电流115A;
- Simple structure, high current, low cost.
- Easy connection, mating with OT/DT terminal firmly, good stability.
- Max. rated current:115A.



技术参数 Technical data

APPROVAL: CE

型号 Model	线径 Wire range (AWG/mm ²)	线数 Poles	IEC60947技术参数 (IEC60947 data sheet)		UL1059技术参数 (UL1059 data sheet)	
			电压(V) Rated voltage	电流(A) Rated current	电压(V) Rated voltage	电流(A) Rated current
K80	-	01P	-	115	-	115

应用行业 Application

工业自动化, 新能源, 电力电气等行业。
industrial automation, new energy, electric power.



产品包装方式 Packing

Product model	Pcs./Pkt.
K80	50

型号对照 Cross reference

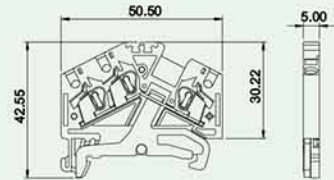
DEGSON	同行1/Competitor1	同行2/Competitor2
K80	-	-

产品订货 How to order

K80	0 0 A(H) Standard
-----	----------------------

WS2.5-TW-TA-PE

- 45°接线, 可适用于狭窄空间;
- 一进两出的结构, 适用于紧凑布线;
- 接地规格, 可安装在NS35/7.5或NS35/15的轨道上;
- 45°wiring, using with cramped space.
- One in two out structure. Using with compact wiring.
- Grounding type, installed on din-rail of NS35/7.5 or NS35/15.



技术参数 Technical Data

APPROVAL: CE

型号 Model	线径 Wire range	线数 Poles	IEC60947技术参数(IEC60947 datasheet)				UL1059技术参数(UL1059 datasheet)			
			电压(V)	Rated voltage	电流(A)	Rated current	电压(V)	Rated voltage	电流(A)	Rated current
WS2.5-TW-TA-PE	0.2-2.5mm ² /28-14AWG	01P	-	-	-	-	-	-	-	

应用行业 Application

工业自动化、新能源、电力电气、电梯等行业。
Industrial automation, new energy, electric power, elevator etc.



产品包装方式 Packing

Product model	Pcs./Pkt.
WS2.5-TW-PE-01P	100

型号对照 Cross Reference

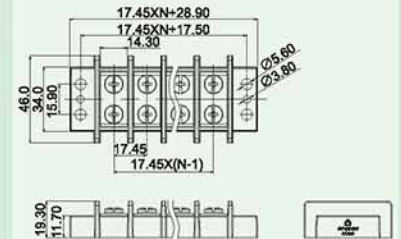
DEGSON	同行1/ Competitor1	同行2/ Competitor2
WS2.5-TW-TA-PE	280-637	-

产品订货 How to order

WS2.5-TW-TA-PE	X	X	P	1	C	0	0	AH
Series No.	No. of Pole					Standard		
			1 Single pitch 2 Double pitch			通用色 General Color PANTONE DEGSON 0C		

DG99-A

- 栅栏式结构,可用OT/U型头连接。提高稳定性;
- 带固定孔,安装方便;
- 铜质焊脚,满足UL C级:600V/30A的需求;
- 最大线径:10 AWG
- Barrier structure,mating with OT/U terminal, stability improved;
- Easy install with fixed hole
- Copper soldering pin ensure UL C class:600V/75A
- Max wire range:10AWG;



技术参数 Technical Data

APPROVAL: CE

型号 Model	线径 Wire range	线数 Poles	IEC60947技术参数(IEC60947 datasheet)		UI1059技术参数(UL1059 datasheet)	
			电压(V) Rated voltage	电流(A) Rated current	电压(V) Rated voltage	电流(A) Rated current
DG99-A	14-10AWG	02-12P	-	-	600	30

应用行业 Application

工业自动化、新能源、电梯、电力电气等行业。
Industrial automation, new energy, elevator, electric power etc.



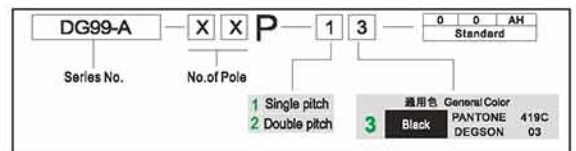
产品包装方式 Packing

Product model	Pcs./Pkt.	Product model	Pcs./Pkt.
DG99-A-02P	50	DG99-A-08P	25
DG99-A-03P	50	DG99-A-09P	25
DG99-A-04P	50	DG99-A-10P	25
DG99-A-05P	50	DG99-A-11P	25
DG99-A-06P	25	DG99-A-12P	25
DG99-A-07P	25		

型号对照 Cross Reference

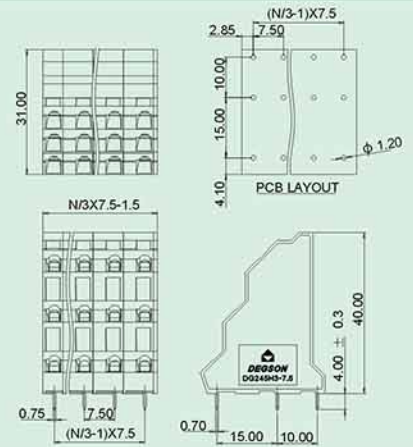
DEGSON	同行1/ Competitor1	同行2/ Competitor2
DG99-A	TB400	-

产品订货 How to order



DG245H3-7.5

- 三层紧凑型设计, 空间更节约;
- 笼式弹簧结构, 操作方便;
- 抗振性能良好;
- 最大线径: 2.5mm²;
- Triple-layer and compact design, space saving;
- Spring cage structure, more convenient operation;
- Good anti-vibration performance;
- Max. wire range : 2.5mm².



技术参数 Technical data

 APPROVAL: **CE**

型号 Model	线径 Wire range	线数 Poles	IEC60947技术参数 (IEC60947 data sheet)		UL1059技术参数 (UL1059 data sheet)	
			电压(V) Rated voltage	电流(A) Rated current	电压(V) Rated voltage	电流(A) Rated current
DG245H3-7.50.2-2.5mm ² /28-12AWG	06-XXP		630	21	300	10

应用行业 Application

工业自动化, 仪器仪表, 电力电气, 安防, 电梯等行业。

Industrial automation, instrument, electric power, security, elevator etc.



产品包装方式 Packing

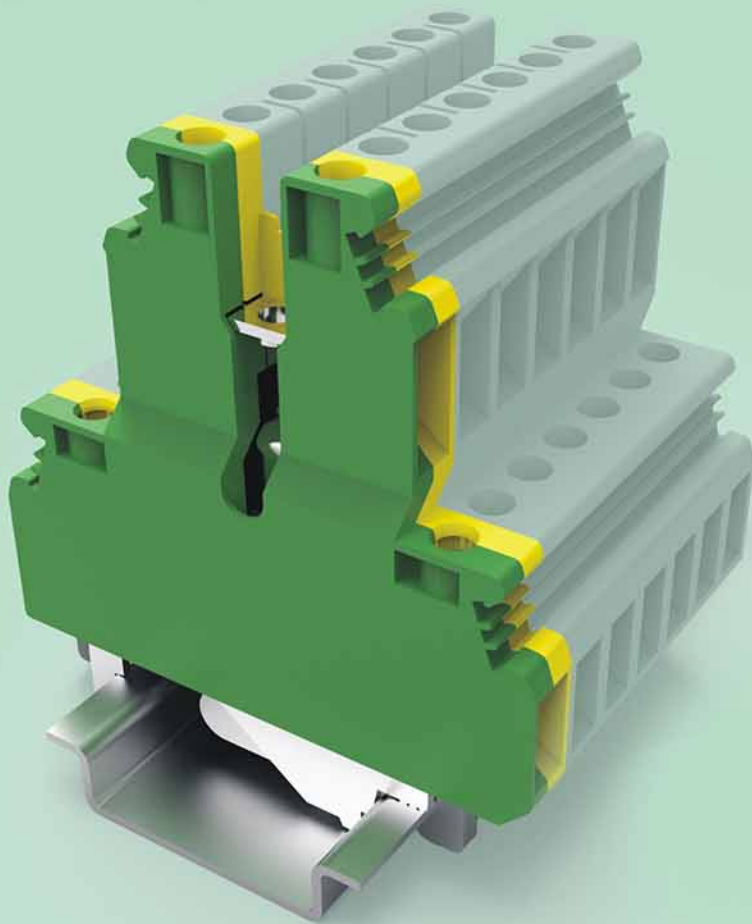
Product model	Pcs./Pkt
DG245H3-7.5-06P	50
DG245H3-7.5-09P	50

型号对照 Cross reference

DEGSON	同行1/Competitor1	同行2/Competitor2
DG245H3-7.5	-	737-5XX

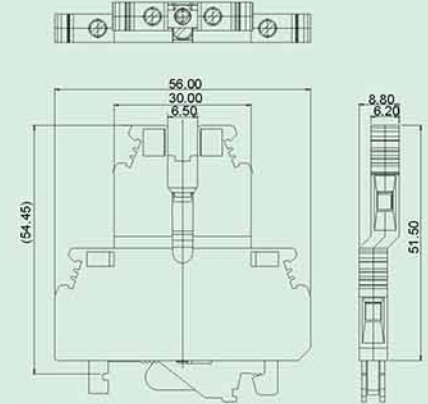
产品订货 How to order

DG245H3-7.5	X	X	P	1	Y	0	0	AH
Series NO.	NO. of pole					Standard		
	1 Single pitch	2 Double pitch				通用色 General Color		
			1			Grey	PANTONE 430C	DEGSON 01



PCKK4-PE

- 双层紧凑型结构，空间更节约；
- 轨道式联接结构，固定于NS35轨道；
- 螺钉联接方式，操作方便；
- 带接地保护功能。
- Double-layer and compact structure, space saving;
- Din rail connection structure, fixing on NS35 din rail;
- Screw connection style, more convenient operation;
- With ground protection function.



技术参数 Technical data

 APPROVAL: **CE**

型号 Model	线径 Wire range	线数 Poles	IEC60947技术参数 (IEC60947 data sheet)		UL1059技术参数 (UL1059 data sheet)	
			电压(V) Rated voltage	电流(A) Rated current	电压(V) Rated voltage	电流(A) Rated current
PCKK4-PE	0.2-4 mm ² /26-10AWG	01P	-	-	-	-

应用行业 Application

工业自动化，机械，电力电气，新能源，电梯等行业。
 Industrial automation, machinery, electric power, new energy, elevator etc.



产品包装方式 Packing

Product model	Pcs./Pkt
PCKK4-PE-01P	25

附件 Accessory



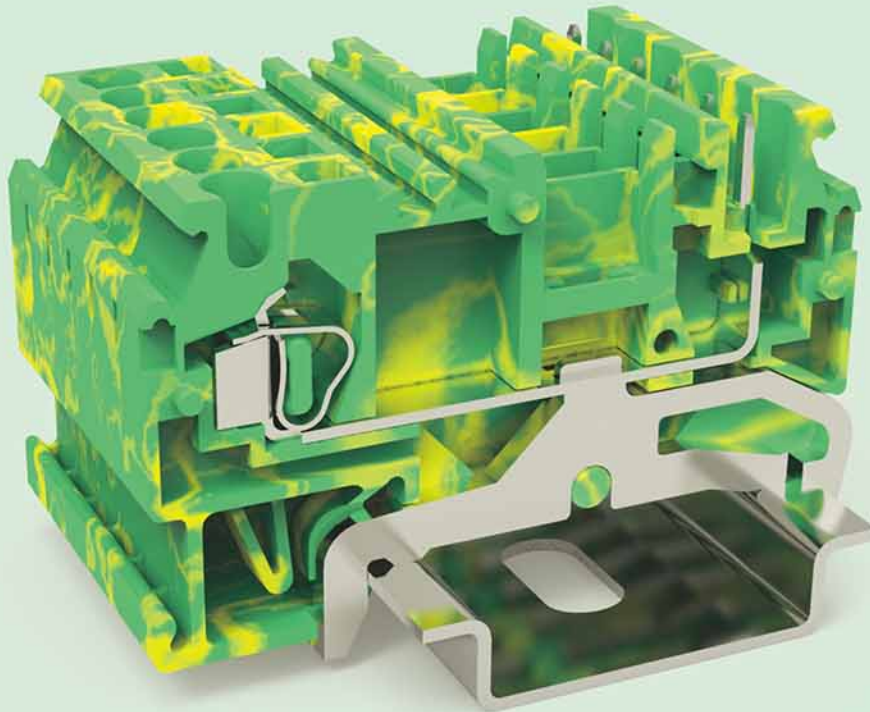
型号对照 Cross reference

DEGSON	同行1/Competitor1	同行2/Competitor2
PCKK4-PE	UKK5-PE	-

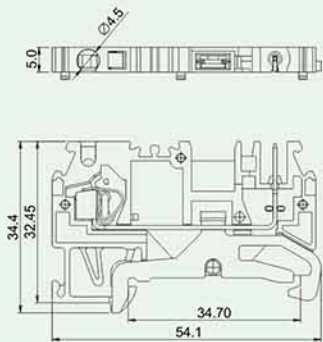
产品订货 How to order

PCKK4-PE	-	X	X	P	-	1	Y	-	0	0	AH
Series NO.		NO. of pole							Standard		
		1	2						通用色 General Color		
						4	3		Green	PANTONE	556C
									Yellow	DEGSON	04
										PANTONE	106C
										DEGSON	03

WS2.5P-PE



- PUSH-IN连接技术, 快速接线;
- 笼式弹簧结构, 良好的抗振性;
- 插拔连接结构, 良好的维护性;
- 带接地功能, 提供过载保护;
- 可安装于NS35轨道。
- Fast wiring thanks to the PUSH-IN connection technology;
- Excellent shock proof performance thanks to the spring-cage structure;
- Overload protection thanks to the grounded part;
- It has connection function, meanwhile provide overload protection;
- Can be installed on the din-rail of Ns35.



技术参数 Technical Data

APPROVAL: CE

型号 Model	线径 Wire range	线数 Poles	IEC60947技术参数 (IEC60947 datasheet)		UL1059技术参数 (UL1059 datasheet)	
			电压(V) Rated voltage	电流(A) Rated current	电压(V) Rated voltage	电流(A) Rated current
WS2.5P-PE	0.2-2.5mm ² /28-14AWG	01P	250	10	300	10

应用行业 Application

工业自动化、仪器仪表、安防等行业。
Industrial automation, instrument, security etc.



型号对照 Cross Reference

DEGSON	同行1/ Competitor1	同行2/ Competitor2
WS2.5P-PE	-	225987

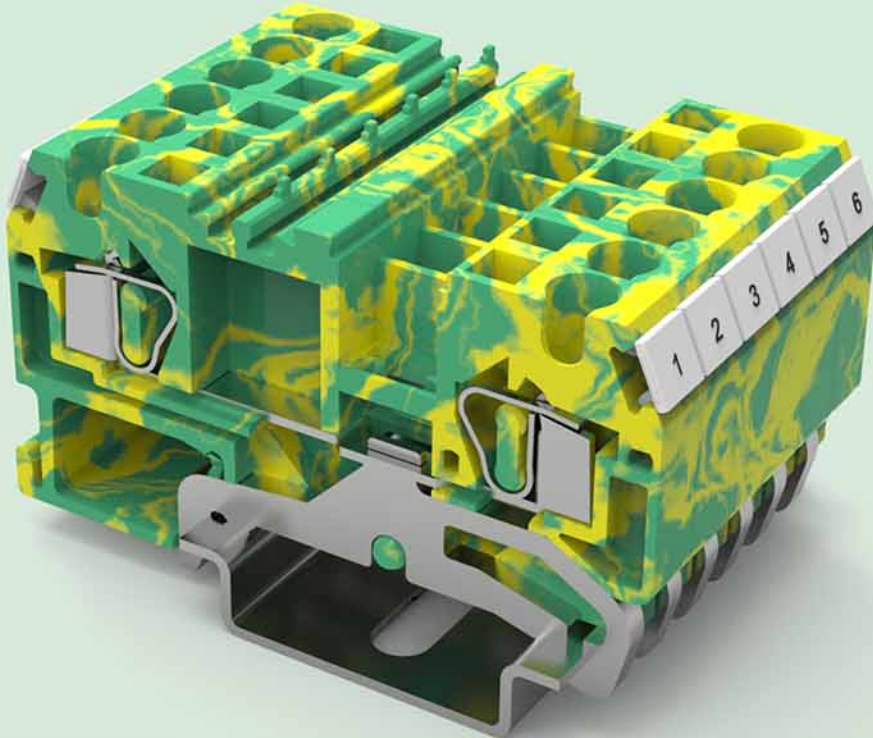
产品订货 How to order

WS2.5P-PE	0	1	P	1	C	0	0	AH	standard
Series No.	No. of Pole					通用色 General Color			
			1 Single pitch			PANTONE			
			2 Double pitch			DEGSON			
						PANTONE 0C			

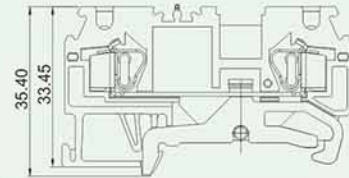
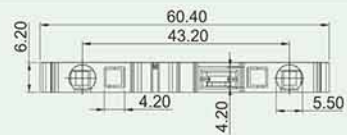
产品包装方式 Packing

Product model	Pcs./Pkt.
WS2.5P-PE-01P	50

WS4-PE...100AH



- 接线孔加大，满足更多的接线方式要求；
- 带接地保护功能；
- Enlarge wiring hole , suitable for more wiring methods
- with earthing protection funcotion;



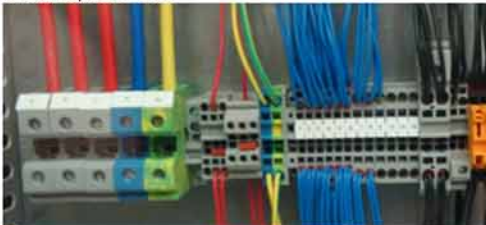
技术参数 Technical Data

APPROVAL: 

型号 Model	线径 Wire range	线数 Poles	IEC60947技术参数(IEC60947 datasheet)				UL1059技术参数(UL1059 datasheet)			
			电压(V)	Rated voltage	电流(A)	Rated current	电压(V)	Rated voltage	电流(A)	Rated current
WS4-PE...100AH	0.2-4mm ² /28-12AWG	01P	-	-	-	-	-	-	-	

应用行业 Application

工业自动化、新能源、电梯、电力电气等行业。
Industrial automation, new energy, elevator, electric power etc.



产品包装方式 Packing

Product model	Pcs./Pkt.
WS4-PE...100AH	50

型号对照 Cross Reference

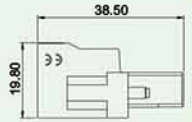
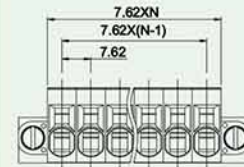
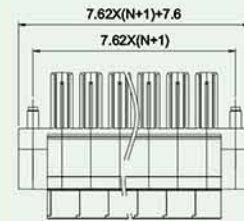
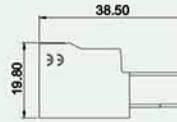
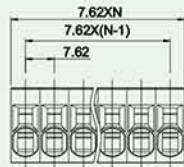
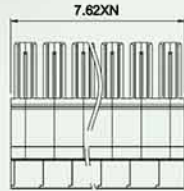
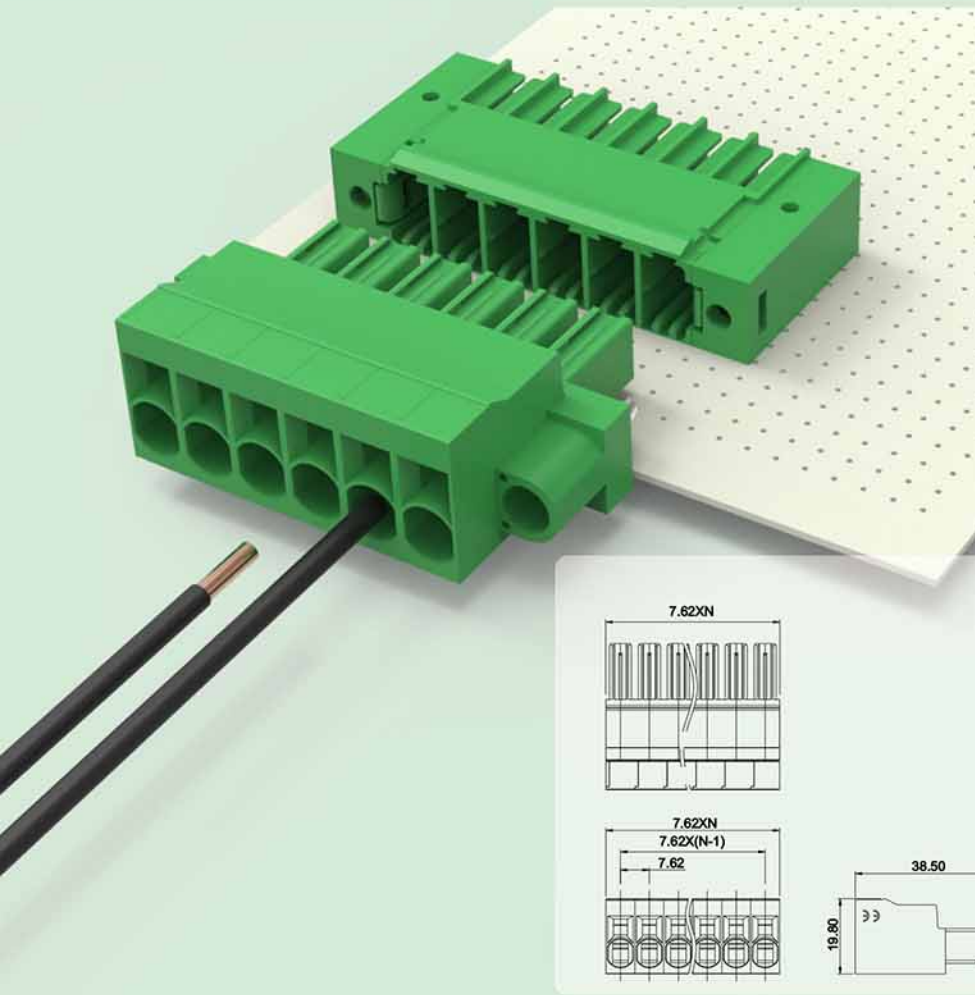
DEGSON	同行1/ Competitor1	同行2/ Competitor2
WS4-PE...100AH	ST4	281-901

产品订货 How to order

WS4-PE	-	0	1	P	-	1	C	-	1	0	0	AH
Series No.		No. of Pole							Standard			
		1	2			1			通用色 General Color			
		1	2			1			PANTONE			
									DEGSON			
									OC			

5EDGKD/KDM-7.62

- 插拔大电流产品：1000V/41A；
- 蝶式弹簧结构，优良的抗震性能；
- 两种规格：带法兰和不带法兰；
- Big current pluggable terminal block :1000V/41A.
- Butter-fly structure, good anti-vibration performance.
- Two type : with flange or not.



技术参数 Technical Data

APPROVAL: CE

型号 Model	线径 Wire range	线数 Poles	IEC61984技术参数(IEC61984 datasheet)		UI1059技术参数(UL1059 datasheet)	
			电压(V) Rated voltage	电流(A) Rated current	电压(V) Rated voltage	电流(A) Rated current
5EDGKD/KDM-7.62	0.2-10.0mm ² /24-8AWG	02-12P	1000	41	600	35

应用行业 Application

工业自动化、新能源、电力电气、仪器仪表、电梯等行业。

Industrial automation, new energy, electric power, instrument, elevator etc.



产品包装方式 Packing

Product model	Pcs./Pkt.	Product model	Pcs./Pkt.
5EDGKD/KDM-7.62-02P	50	5EDGKD/KDM-7.62-08P	50
5EDGKD/KDM-7.62-03P	50	5EDGKD/KDM-7.62-09P	50
5EDGKD/KDM-7.62-04P	50	5EDGKD/KDM-7.62-10P	50
5EDGKD/KDM-7.62-05P	50	5EDGKD/KDM-7.62-11P	50
5EDGKD/KDM-7.62-06P	50	5EDGKD/KDM-7.62-12P	50
5EDGKD/KDM-7.62-07P	50		

型号对照 Cross Reference

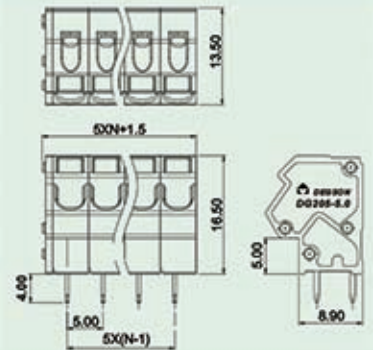
DEGSON	同行1/ Competitor1	同行2/ Competitor2
5EDGKD/KDM-7.62	SPC 5/X-ST-7.62	BVF 7.62HP/XX/180

产品订货 How to order

5EDGKD/KDM-7.62	X	X	P	1	Y	0	0	AH
Series No.	No. of Pole					Standard		
				1 Single pitch		通用色 General Color		
				2 Double pitch	4 Green	PANTONE 556C		
						DEGSON 04		

DG205-5.0

- 45°接线, 可适用于狭窄空间;
- 蝶式弹簧结构, 抗震性能好;
- 拼接结构, 线数: 02P-48P;
- 45°wiring, using with cramped space.
- Butterfly spring structure, good anti-vibration performance.
- Splice structure. Poles:02P-48P.



技术参数 Technical Data

APPROVAL: CE

型号 Model	线径 Wire range	线数 Poles	IEC60947技术参数(IEC60947 datasheet)				UL1059技术参数(UL1059 datasheet)			
			电压(V) Rated voltage	电流(A) Rated current	电压(V) Rated voltage	电流(A) Rated current				
DG205-5.0	0.5-2.5mm ² /20-12AWG	02-48P	320	24	300	10				

应用行业 Application

工业自动化、新能源、电力电气、仪器仪表、
电梯、安防等行业。

Industrial automation, new energy,
electric power, instrument, elevator, security etc.



产品包装方式 Packing

Product model	Pcs./Pkt.	Product model	Pcs./Pkt.
DG205-5.0-02P	420	DG205-5.0-06P	100
DG205-5.0-03P	280	DG205-5.0-10P	80
DG205-5.0-04P	220	DG205-5.0-12P	80
DG205-5.0-05P	180	DG205-5.0-16P	60
DG205-5.0-06P	140	DG205-5.0-24P	40
DG205-5.0-07P	120	DG205-5.0-36P	20
DG205-5.0-08P	100	DG205-5.0-48P	20

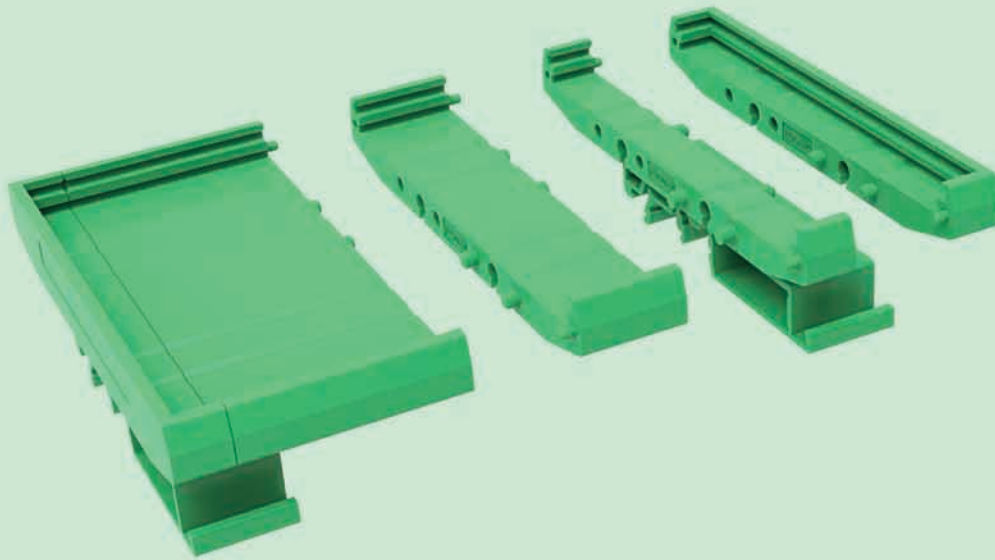
型号对照 Cross Reference

DEGSON	同行1/ Competitor1	同行2/ Competitor2
DG205-5.0	254-4XX	—

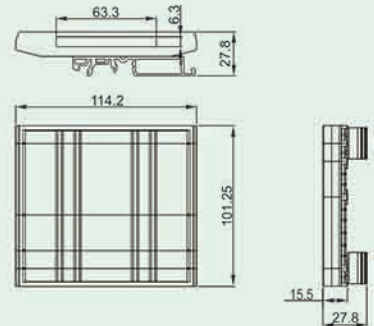
产品订货 How to order

Series No.	No. of Pole	General Color
DG205-5.0	X X P	通用色 Grey
	1 Y	PANTONE 430C DEGSON 01
		1 1

Legend:
1 Single pitch
2 Double pitch



DMK 108



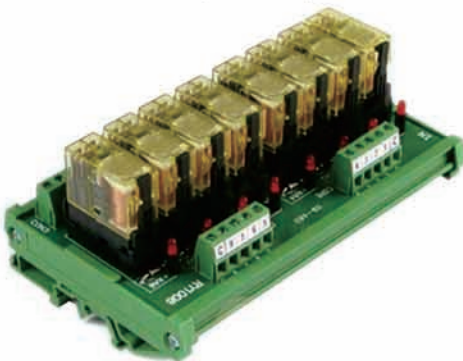
DMK 108

BOM CHICKLIST							
PCB DIMENSIONS BXWXT(MM)	MODULE WIDTH C(MM)	P/N	DMK108 COVER	DMK108 11.25HOUSING	DMK108 22.5HOUSING	DMK108 45HOUSING	DMK108 SUPPORT
20.00X108X1.5	22.50	DMK108-11.25-02P-1Y-00AH	2	-	-	-	1
31.25X108X1.5	33.75	DMK108-11.25-03P-1Y-00AH	2	1	-	-	1
42.50X108X1.5	45.00	DMK108-11.25-04P-1Y-00AH	2	-	1	-	2
53.75X108X1.5	56.25	DMK108-11.25-05P-1Y-00AH	2	1	1	-	2
65.00X108X1.5	67.50	DMK108-11.25-06P-1Y-00AH	2	-	-	1	2
76.25X108X1.5	78.75	DMK108-11.25-07P-1Y-00AH	2	1	-	1	2
87.50X108X1.5	90.00	DMK108-11.25-08P-1Y-00AH	2	-	1	1	2
98.75X108X1.5	101.25	DMK108-11.25-09P-1Y-00AH	2	1	1	1	2
110.00X108X1.5	112.50	DMK108-11.25-10P-1Y-00AH	2	-	-	2	2
121.25X108X1.5	123.75	DMK108-11.25-11P-1Y-00AH	2	1	-	2	2
132.50X108X1.5	135.00	DMK108-11.25-12P-1Y-00AH	2	-	1	2	2
143.75X108X1.5	146.25	DMK108-11.25-13P-1Y-00AH	2	1	1	2	3
155.00X108X1.5	157.50	DMK108-11.25-14P-1Y-00AH	2	-	-	3	3
166.25X108X1.5	168.75	DMK108-11.25-15P-1Y-00AH	2	1	-	3	3
177.50X108X1.5	180.00	DMK108-11.25-16P-1Y-00AH	2	-	1	3	3

- 模块化结构，长度可拼接；
- PCB长度提供22.50/33.75/45/mm... 180mm等15种可以选择；
- 可安装于NS35导轨上。
- The DMK108 adopt the module structure , we can get different length through the splice;
- From 22.5mm to 180mm . there have 15 types of PCB length that you can choose;
- It can be installed on the Rail of NS35.

应用行业 Application

工业自动化、仪器仪表、轨道交通等行业。
Industrial automation, instrument, rail transit etc.



产品包装方式 Packing

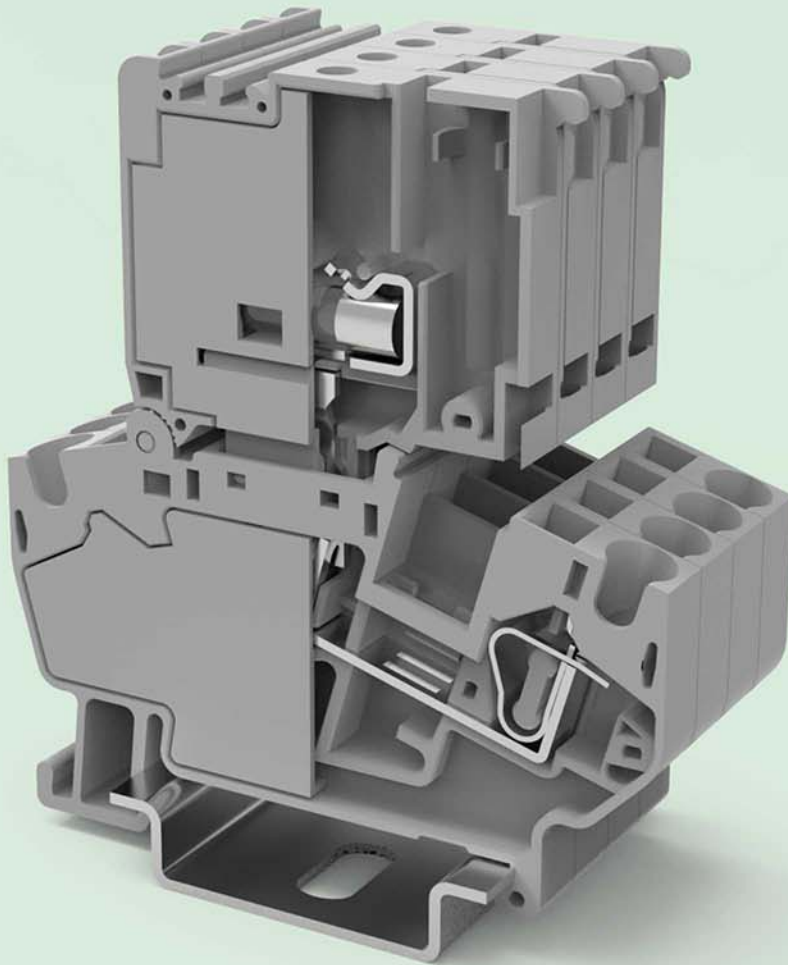
Product model	Pcs./Pkt.
DMK108	50

型号对照 Cross Reference

DEGSON	同行1/ Competitor1	同行2/ Competitor2
DMK 108	UM-BEFE 35-1	-

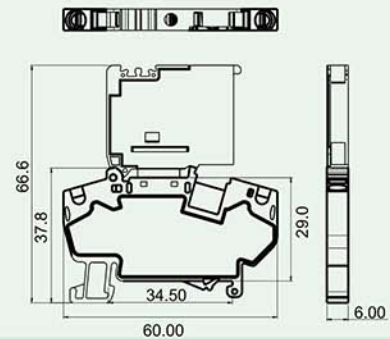
产品订货 How to order

DMK 108-11.25	X	X	P	1	4	0	0	AH
Series No.	No. of Pole					Standard		
	1 Single pitch	2 Double pitch				通用色 General Color		
						4 Green	PANTONE 556C	DEGSON 04
						3 Black	PANTONE 419C	DEGSON 03



WSF4-TA

- 笼式弹簧结构，良好的抗振性；
- 闸刀式的结构，装卸方便！
- 提供备用熔断丝位置，操作更方便；
- 最大线径：4mm²。
- Spring cage structure, excellent vibration-resistance performance.
- Knife disconnect structure, easily dismantling and install.
- Spare space for fuse, easy operation.
- Max. wire range : 4mm².



技术参数 Technical Data

APPROVAL: CE

型号 Model	线径 Wire range	线数 Poles	IEC60947技术参数(IEC60947datasheet)				UL1059技术参数(UL1059 datasheet)			
			电压(V) Rated voltage	电流(A) Rated current	电压(V) Rated voltage	电流(A) Rated current				
WSF4-TA	0.2-4mm ² /28-12 AWG	01P	800	16	300	10				

应用行业 Application

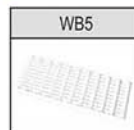
工业自动化、新能源、电梯、电力电气等行业。
Industrial automation, new energy, elevator, electric power etc.



产品包装方式 Packing

Product model	Pcs./Pkt.
WSF4-TA-01P	25

附件 Accessory



型号对照 Cross Reference

DEGSON	同行1/ Competitor1	同行2/ Competitor2
WSF4-TA	TYP ST 4-HESI	AK4-TF

产品订货 How to order

Series No.	No. of Pole	通用色 General Color
WSF4-TA-01P-11-000AH Standard	1	1 Grey PANTONE 430C DEGSON 01
	2	3 Black PANTONE 419C DEGSON 03